

THIS DRAWING IS THE PROPERTY OF ANALOG DEVICES INC. IT IS NOT TO BE REPRODUCED OR COPIED, IN WHOLE OR IN PART, OR USED IN FURNISHING INFORMATION TO OTHERS, OR FOR ANY OTHER PURPOSE DETRIMENTAL TO THE INTERESTS OF ANALOG DEVICES. THE EQUIPMENT SHOWN HEREON MAY BE PROTECTED BY PATENTS OWNED OR CONTROLLED BY ANALOG DEVICES.

RELAY CONTROL CHART

CONTROL	CODE	DEVICE	FUNCTION	CONNECTOR

JUMPER TABLE		
JP#	ON	OFF
1		
2		
3		
4		
5		

\* SEE ASSEMBLY INSTRUCTIONS

REVISIONS			
REV	DESCRIPTION	DATE	APPROVED
A	ORIGINATION NHR-039086	JUN-2014	R.GETZ

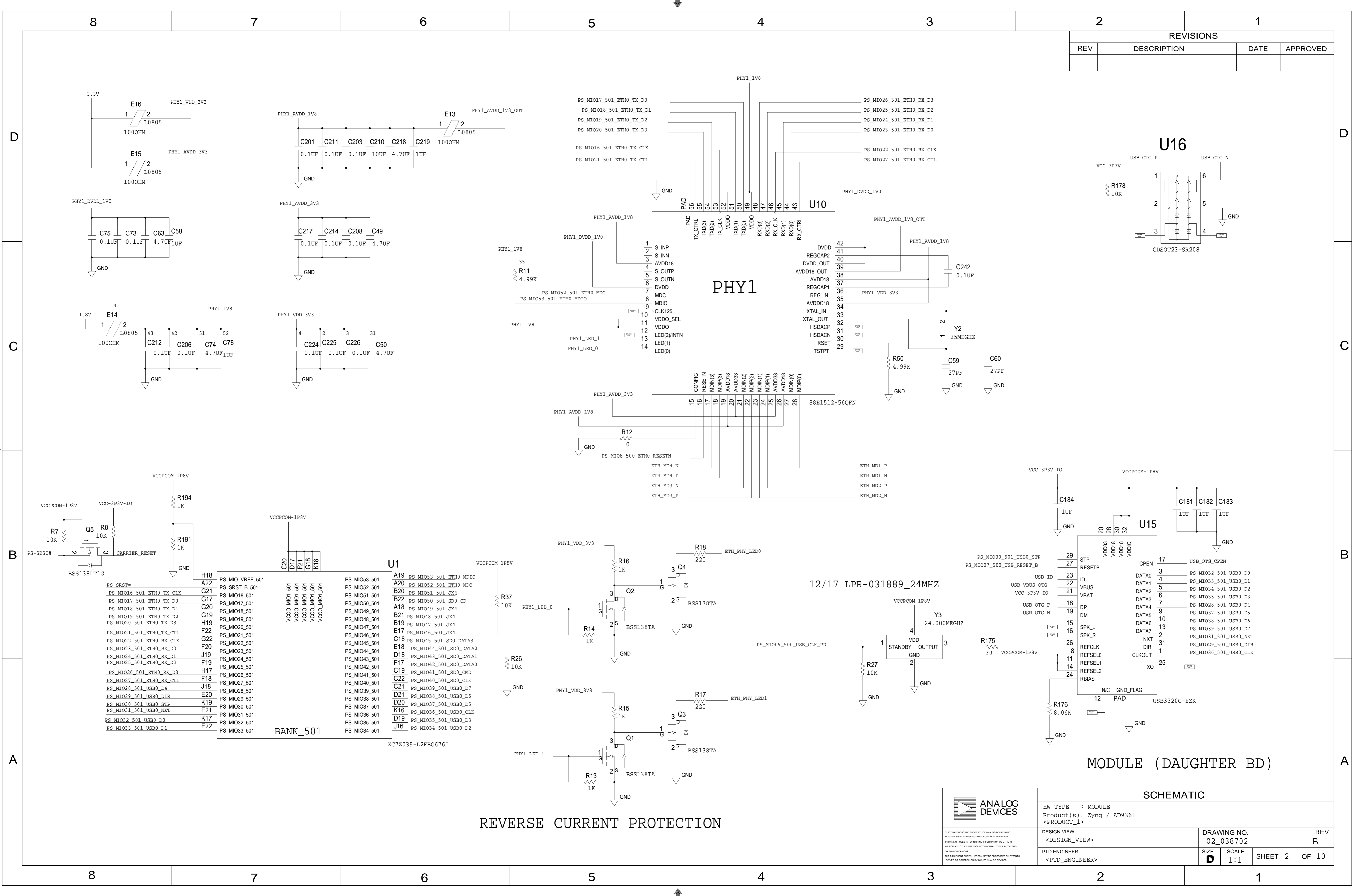
23-JUNE-2015

MODULE (DAUGHTER BD)


P.O SPEC.	BK/BD SPEC.	SOCKET OEM	OEM PART#	HANDLER

TEMPLATE ENGINEER -	DATE	<b>SCHEMATIC</b>		
HARDWARE SERVICES -		HW TYPE : MODULE		
HARDWARE SYSTEMS -		Product(s): Zynq / AD9361		
TEST ENGINEER -		<PRODUCT_1>		
COMPONENT ENGINEER -		PACKAGE : PinCount-lead N/A Package-family		
TEST PROCESS -		: Pitch-pitch StyleVendor Style		
HARDWARE RELEASE -		<User Define>		
DESIGNER S.LEE/		MASTER PROJECT TEMPLATE TBD	TESTER TEMPLATE no_template	DRAWING NO. 02_038702
PTD ENGINEER <PTD_ENGINEER>		UNLESS OTHERWISE SPECIFIED DIMENSIONS ARE IN INCHES		
CHECKER -		TOLERANCES		
		DECIMALS X.XX +0.010 X.XXX +0.005	FRACTIONS +1/32	ANGLES +2
		SIZE <b>D</b>	SCALE 1:1	CODE ID NO. CodeID
		SHEET 1	OF 10	REV. B

REVISIONS			
REV	DESCRIPTION	DATE	APPROVED

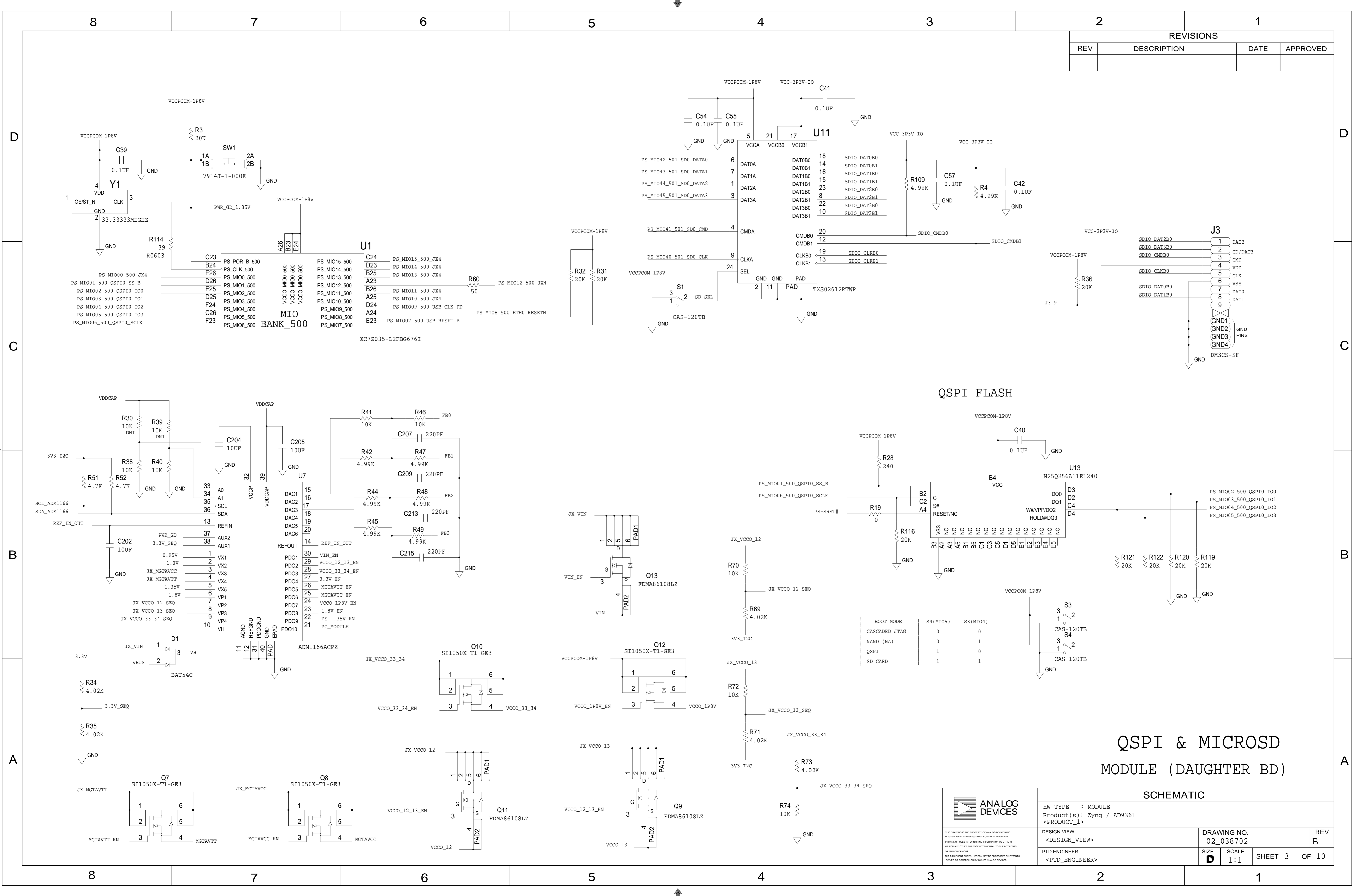


REVERSE CURRENT PROTECTION

	<b>SCHEMATIC</b>		
	HW TYPE : MODULE Product(s) : Zynq / AD9361 <PRODUCT_1>		
DESIGN VIEW <DESIGN_VIEW>	DRAWING NO. 02_038702	REV B	
PTD ENGINEER <PTD_ENGINEER>	SIZE D	SCALE 1:1	SHEET 2 OF 10

THIS DRAWING IS THE PROPERTY OF ANALOG DEVICES INC. IT IS NOT TO BE REPRODUCED OR COPIED, IN WHOLE OR IN PART, OR USED IN ANY MANNER WITHOUT THE WRITTEN PERMISSION OF ANALOG DEVICES. THE EQUIPMENT SHOWN HEREIN MAY BE PROTECTED BY PATENTS OWNED OR CONTROLLED BY ANALOG DEVICES.

REVISIONS			
REV	DESCRIPTION	DATE	APPROVED



BOOT MODE	S4 (MIO5)	S3 (MIO4)
CASCADDED JTAG	0	0
NAND (NA)	0	1
QSPI	1	0
SD CARD	1	1

## QSPI & MICROSD MODULE (DAUGHTER BD)

SCHEMATIC			
ANALOG DEVICES		HW TYPE : MODULE	
Product(s): Zynq / AD9361		<PRODUCT_1>	
DESIGN VIEW		DRAWING NO. 02_038702	
<DESIGN_VIEW>		REV B	
PTD ENGINEER		SIZE D	SCALE 1:1
<PTD_ENGINEER>		SHEET 3	OF 10

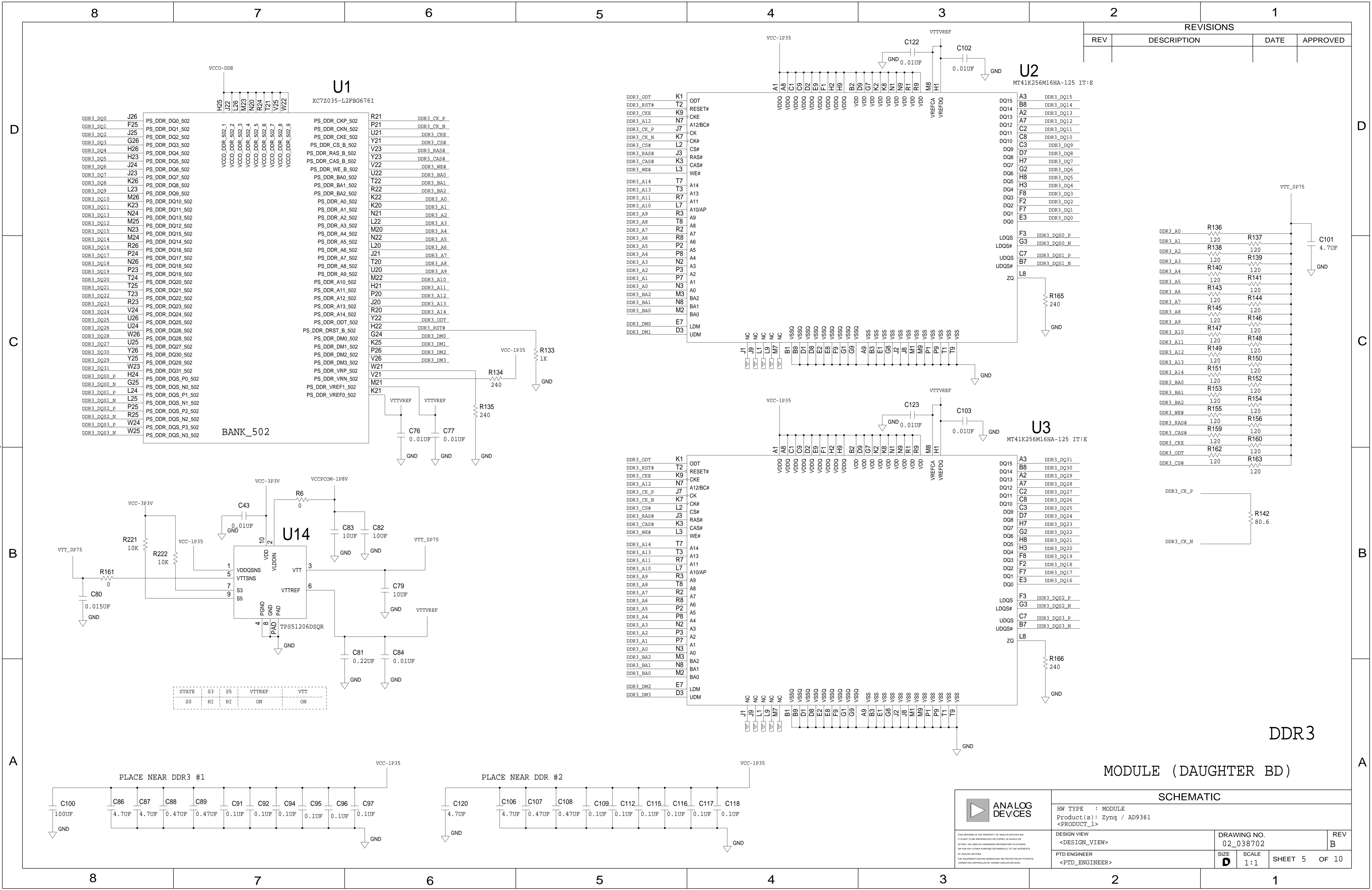
REVISIONS			
REV	DESCRIPTION	DATE	APPROVED



MODULE (DAUGHTER BD)

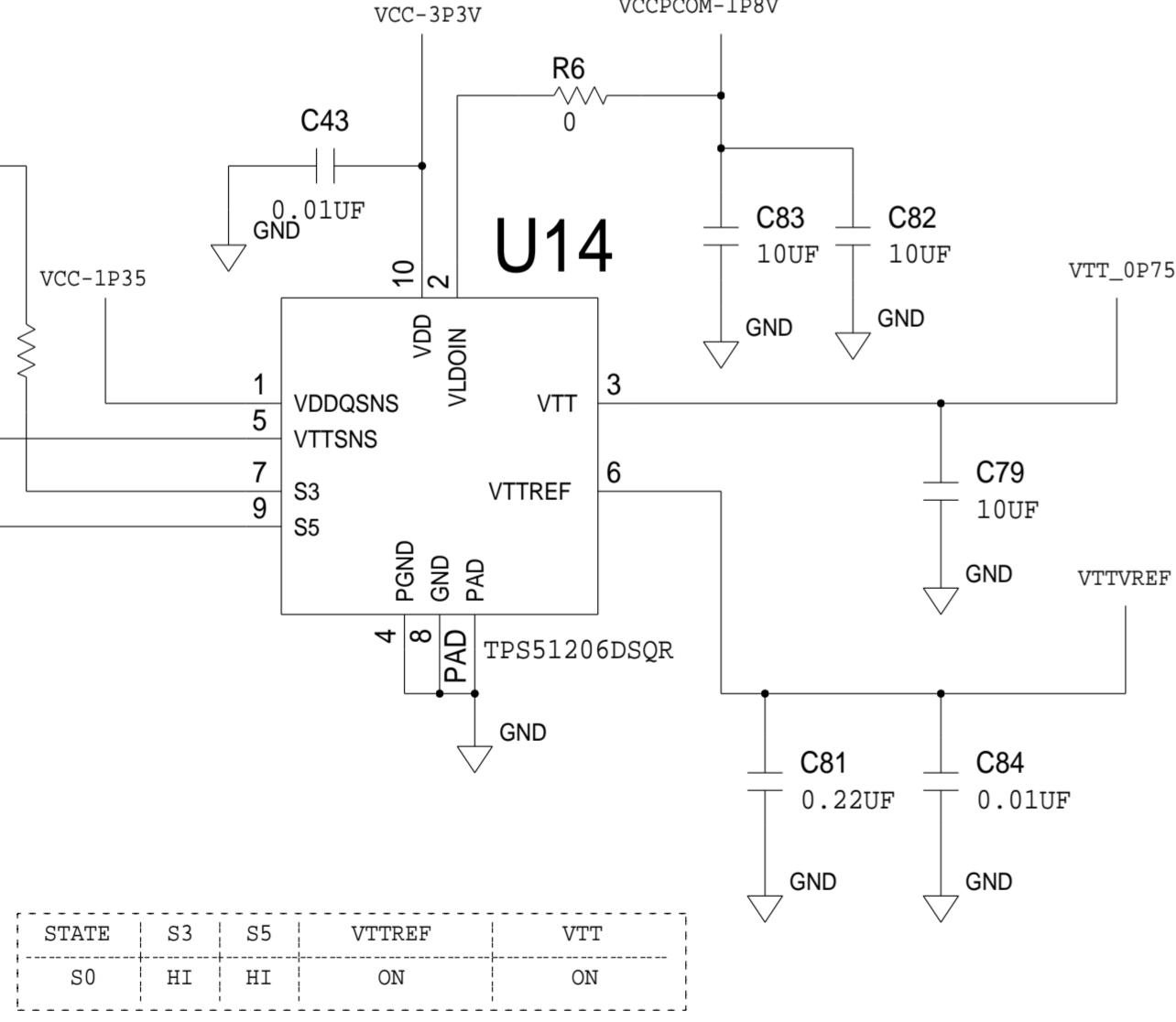
	<b>SCHEMATIC</b>		
	HW TYPE : MODULE Product(s): Zynq / AD9361 <PRODUCT_1>		
	DESIGN VIEW <DESIGN_VIEW>	DRAWING NO. 02_038702	REV B
	PTD ENGINEER <PTD_ENGINEER>	SIZE D	SCALE 1:1
SHEET 4 OF 10		SHEET 4 OF 10	SHEET 4 OF 10

REVISIONS			
REV	DESCRIPTION	DATE	APPROVED

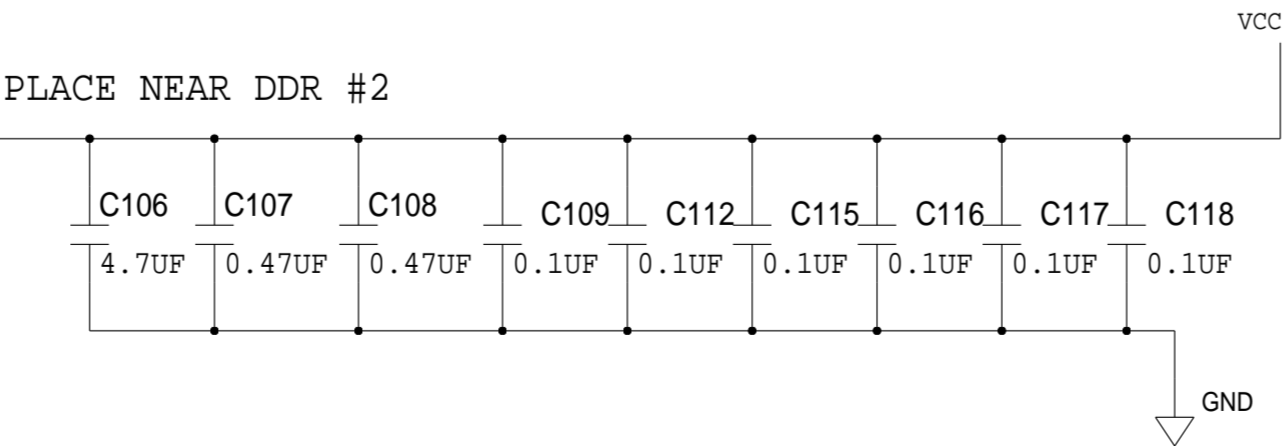
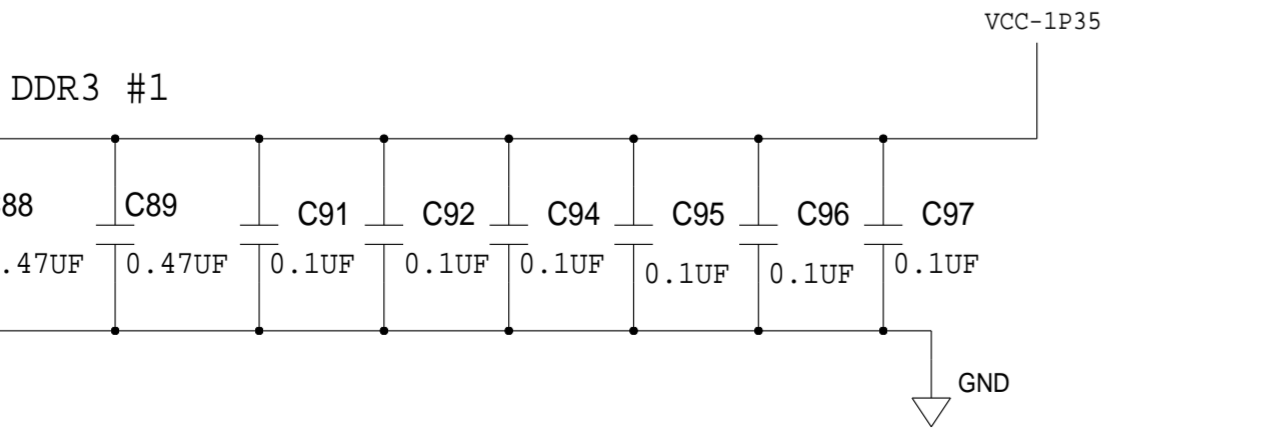


**U1**  
XC7Z035-L2FBG6761

PS_DDR_DQ0_502	J26	DDR3_DQ0	J26
PS_DDR_DQ1_502	F25	DDR3_DQ1	F25
PS_DDR_DQ2_502	J25	DDR3_DQ2	J25
PS_DDR_DQ3_502	G26	DDR3_DQ3	G26
PS_DDR_DQ4_502	H26	DDR3_DQ4	H26
PS_DDR_DQ5_502	H23	DDR3_DQ5	H23
PS_DDR_DQ6_502	J24	DDR3_DQ6	J24
PS_DDR_DQ7_502	J23	DDR3_DQ7	J23
PS_DDR_DQ8_502	K26	DDR3_DQ8	K26
PS_DDR_DQ9_502	L23	DDR3_DQ9	L23
PS_DDR_DQ10_502	M26	DDR3_DQ10	M26
PS_DDR_DQ11_502	K23	DDR3_DQ11	K23
PS_DDR_DQ12_502	N24	DDR3_DQ12	N24
PS_DDR_DQ13_502	M25	DDR3_DQ13	M25
PS_DDR_DQ14_502	N23	DDR3_DQ14	N23
PS_DDR_DQ15_502	M24	DDR3_DQ15	M24
PS_DDR_DQ16_502	R26	DDR3_DQ16	R26
PS_DDR_DQ17_502	P24	DDR3_DQ17	P24
PS_DDR_DQ18_502	N26	DDR3_DQ18	N26
PS_DDR_DQ19_502	P23	DDR3_DQ19	P23
PS_DDR_DQ20_502	T24	DDR3_DQ20	T24
PS_DDR_DQ21_502	T25	DDR3_DQ21	T25
PS_DDR_DQ22_502	T23	DDR3_DQ22	T23
PS_DDR_DQ23_502	R23	DDR3_DQ23	R23
PS_DDR_DQ24_502	V24	DDR3_DQ24	V24
PS_DDR_DQ25_502	U26	DDR3_DQ25	U26
PS_DDR_DQ26_502	U24	DDR3_DQ26	U24
PS_DDR_DQ27_502	W26	DDR3_DQ27	W26
PS_DDR_DQ28_502	U25	DDR3_DQ28	U25
PS_DDR_DQ29_502	Y26	DDR3_DQ29	Y26
PS_DDR_DQ30_502	Y25	DDR3_DQ30	Y25
PS_DDR_DQ31_502	W23	DDR3_DQ31	W23
PS_DDR_DQS_P0_502	H24	DDR3_DQS0_P	H24
PS_DDR_DQS_N0_502	G25	DDR3_DQS0_N	G25
PS_DDR_DQS_P1_502	L24	DDR3_DQS1_P	L24
PS_DDR_DQS_N1_502	L25	DDR3_DQS1_N	L25
PS_DDR_DQS_P2_502	P25	DDR3_DQS2_P	P25
PS_DDR_DQS_N2_502	R25	DDR3_DQS2_N	R25
PS_DDR_DQS_P3_502	W24	DDR3_DQS3_P	W24
PS_DDR_DQS_N3_502	W25	DDR3_DQS3_N	W25



STATE	S3	S5	VTTREF	VTT
SO	HI	HI	ON	ON

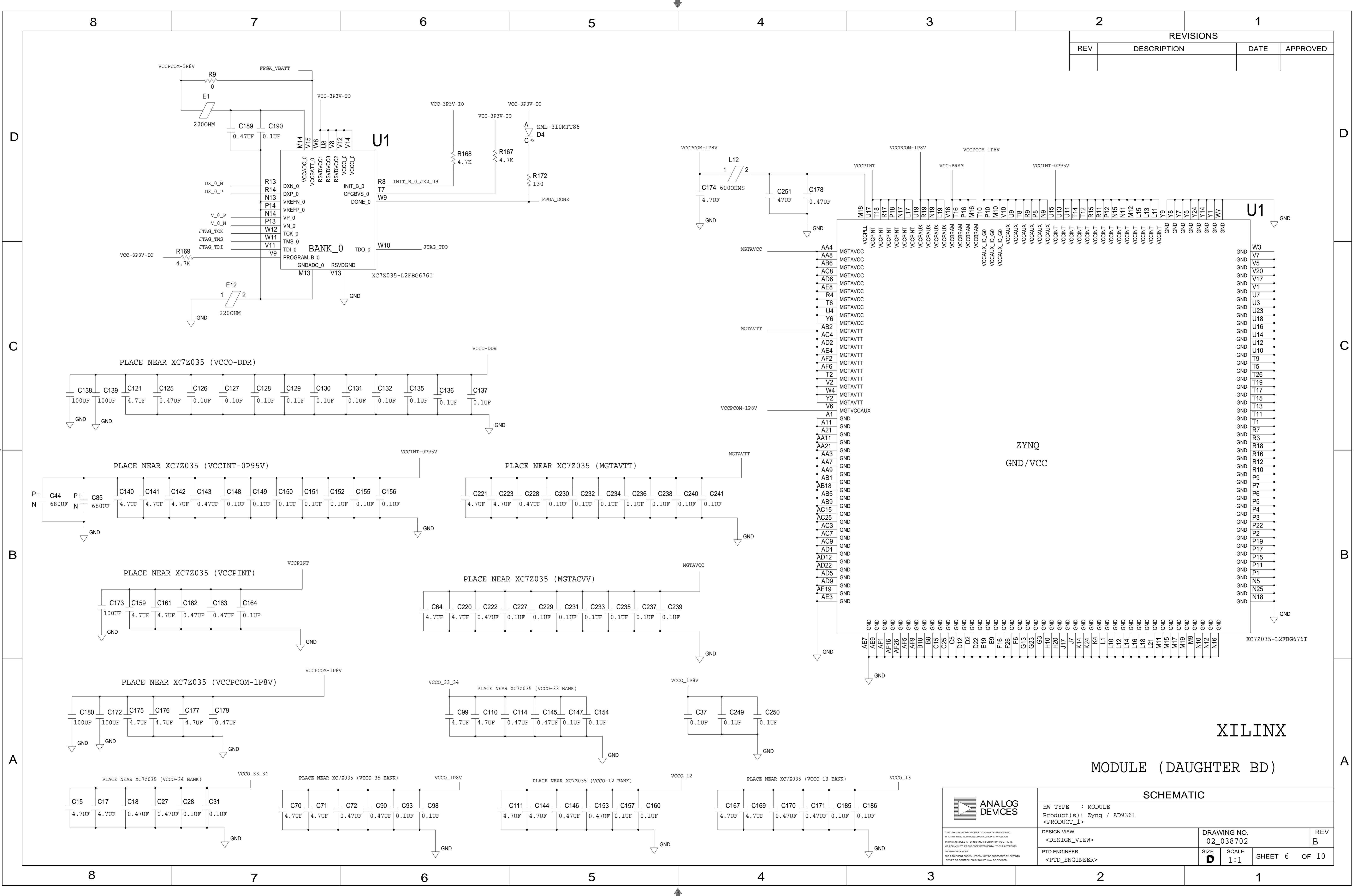


ANALOG DEVICES		SCHEMATIC	
HW TYPE : MODULE		DRAWING NO. 02_038702	
Product(s): Zynq / AD9361		REV B	
<PRODUCT_1>		DESIGN VIEW	
<DESIGN_VIEW>		PTD ENGINEER	
<PTD_ENGINEER>		SIZE D	
SCALE 1:1		SHEET 5 OF 10	

MODULE (DAUGHTER BD)

DDR3

REVISIONS			
REV	DESCRIPTION	DATE	APPROVED



ZYNQ  
GND/VCC

XILINX

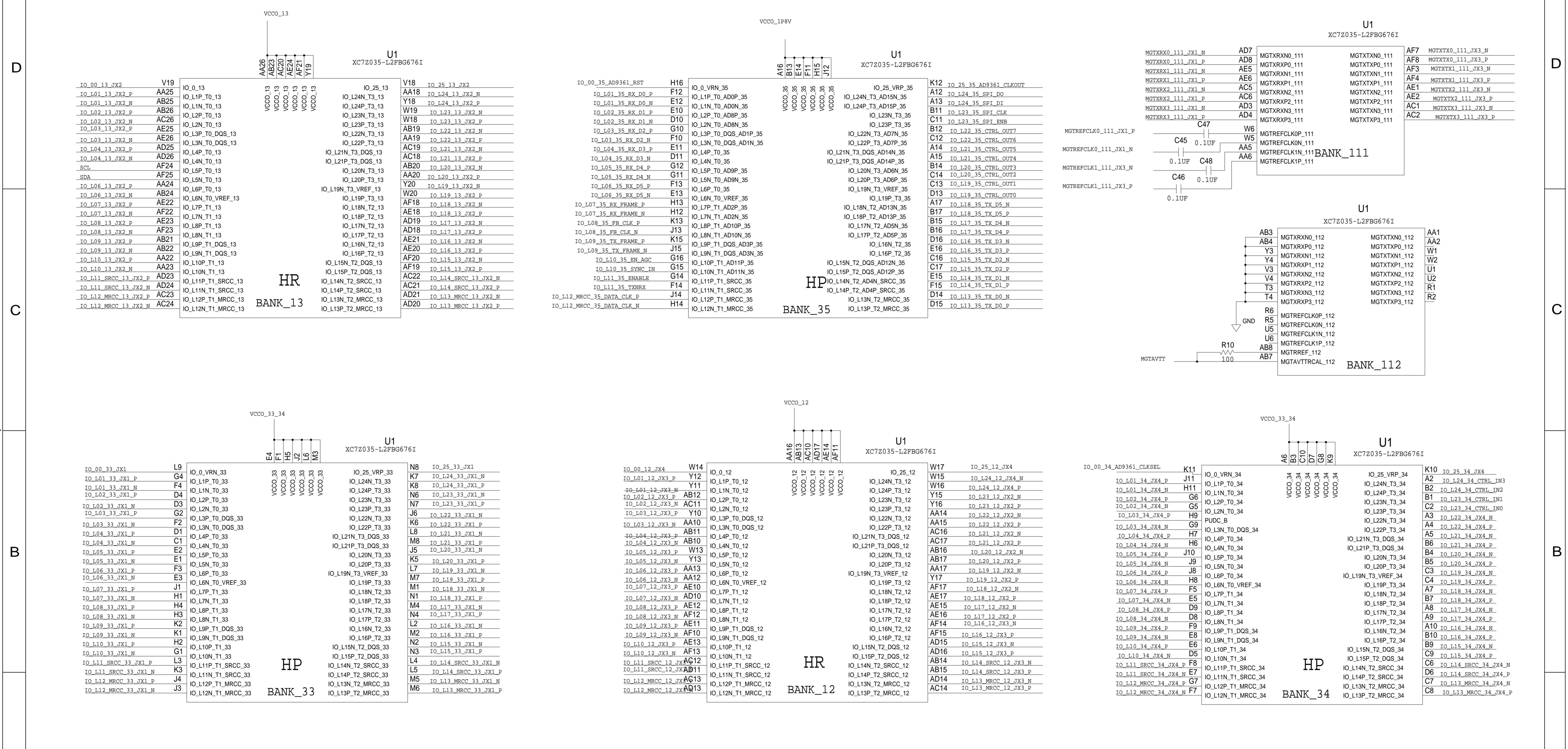
MODULE (DAUGHTER BD)

SCHEMATIC			
HW TYPE : MODULE		DRAWING NO. 02_038702	
Product(s): Zynq / AD9361		REV B	
DESIGN VIEW <DESIGN_VIEW>		SIZE D	
PTD ENGINEER <PTD_ENGINEER>		SCALE 1:1	
		SHEET 6 OF 10	

**ANALOG DEVICES**

THIS DRAWING IS THE PROPERTY OF ANALOG DEVICES INC. IT IS NOT TO BE REPRODUCED OR COPIED, IN WHOLE OR IN PART, OR USED IN ANY MANNER WITHOUT THE WRITTEN PERMISSION OF ANALOG DEVICES. THE EQUIPMENT SHOWN HEREIN MAY BE PROTECTED BY PATENTS OWNED OR CONTROLLED BY ANALOG DEVICES.

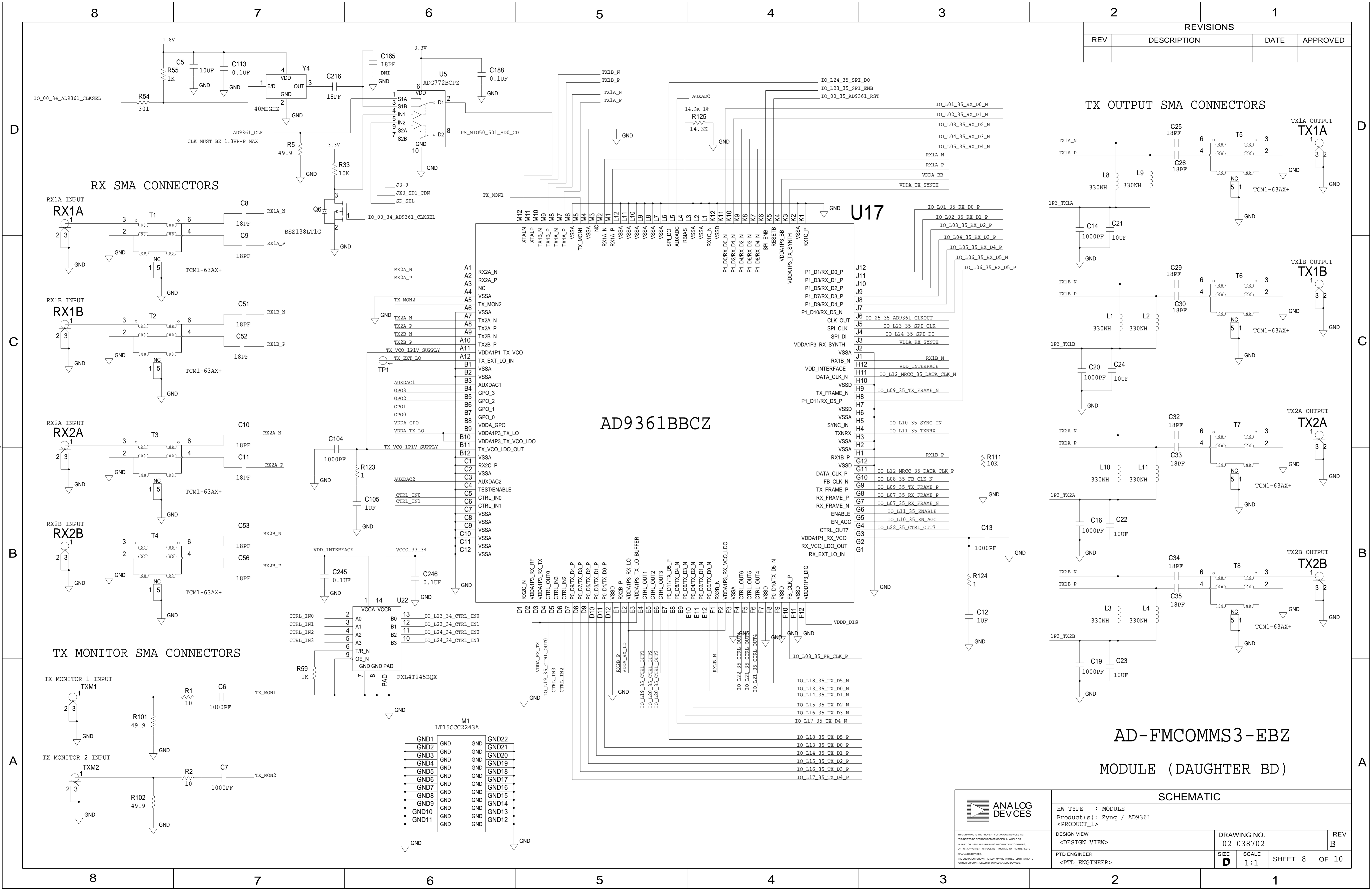
REVISIONS			
REV	DESCRIPTION	DATE	APPROVED



XILINX  
MODULE (DAUGHTER BD)

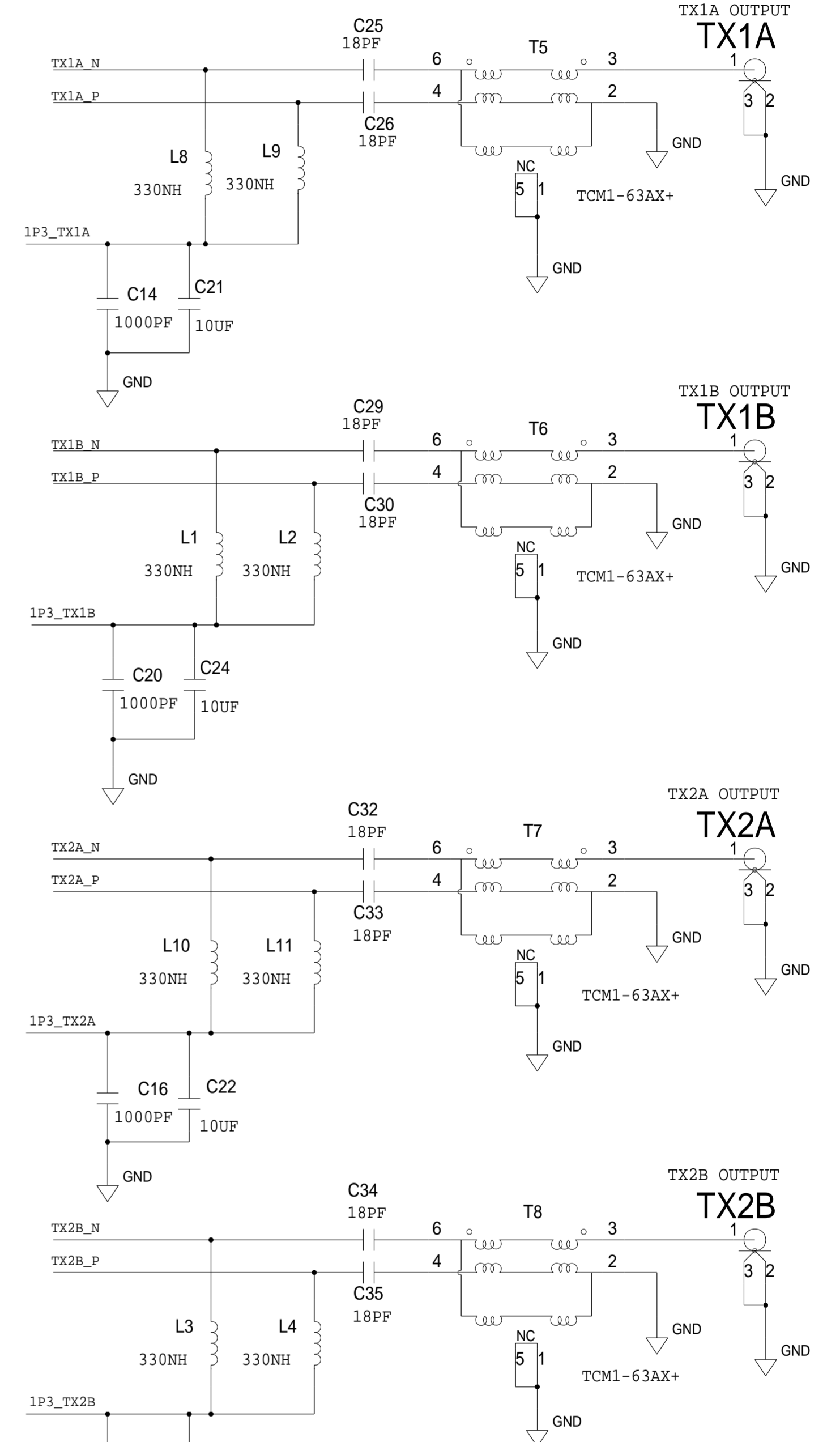
SCHEMATIC			
		HW TYPE : MODULE Product(s) : Zynq / AD9361 <PRODUCT_1>	
DESIGN VIEW	DRAWING NO. 02_038702		REV B
PTD ENGINEER	SIZE D	SCALE 1:1	SHEET 7 OF 10

REVISIONS			
REV	DESCRIPTION	DATE	APPROVED



AD9361BBCZ

TX OUTPUT SMA CONNECTORS



AD-FMCOMMS3-EBZ  
MODULE (DAUGHTER BD)

SCHEMATIC			
HW TYPE : MODULE		DRAWING NO. 02_038702	
Product(s) : Zynq / AD9361		REV B	
<DESIGN_VIEW>		SIZE D	SCALE 1:1
PTD ENGINEER <PTD_ENGINEER>		SHEET 8	OF 10

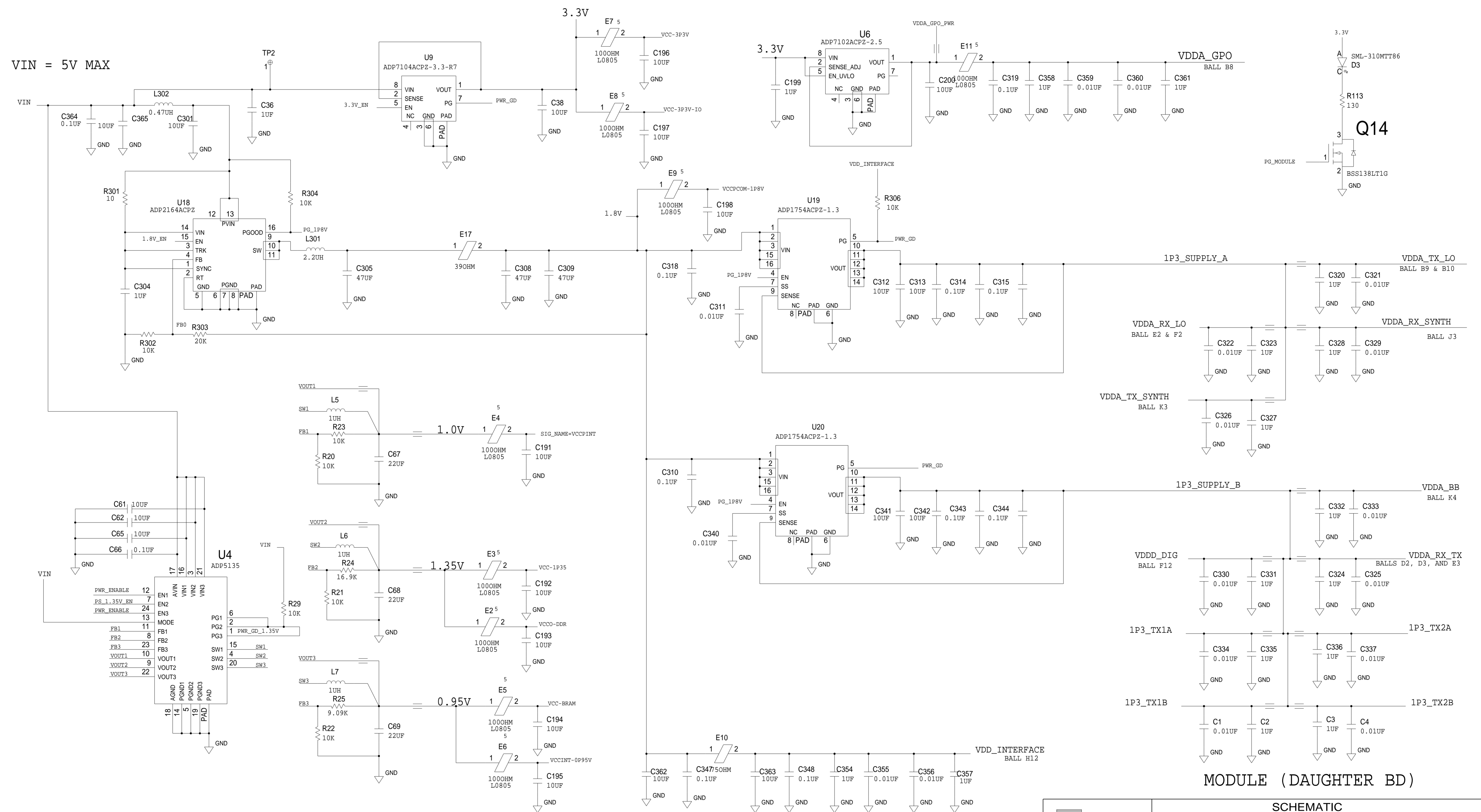
ANALOG DEVICES

THIS DRAWING IS THE PROPERTY OF ANALOG DEVICES INC. IT IS NOT TO BE REPRODUCED OR COPIED, IN WHOLE OR IN PART, OR USED IN FURNISHING INFORMATION TO OTHERS, OR FOR ANY OTHER PURPOSE DETRIMENTAL TO THE INTERESTS OF ANALOG DEVICES. THE EQUIPMENT SHOWN HEREON MAY BE PROTECTED BY PATENTS OWNED OR CONTROLLED BY ANALOG DEVICES.



POWER MANAGEMENT SECTION

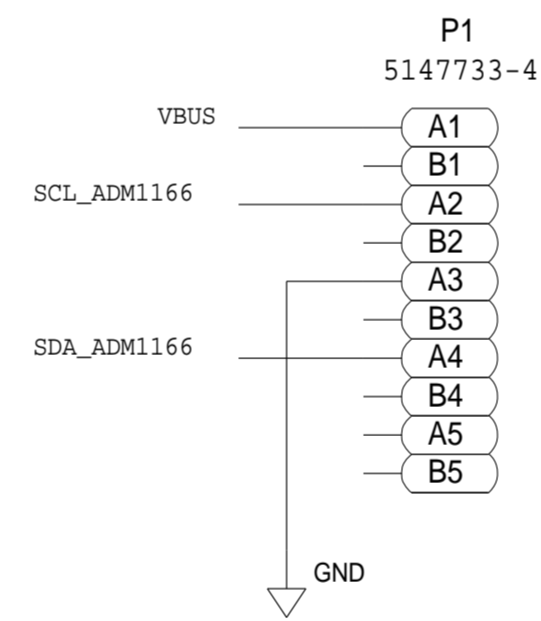
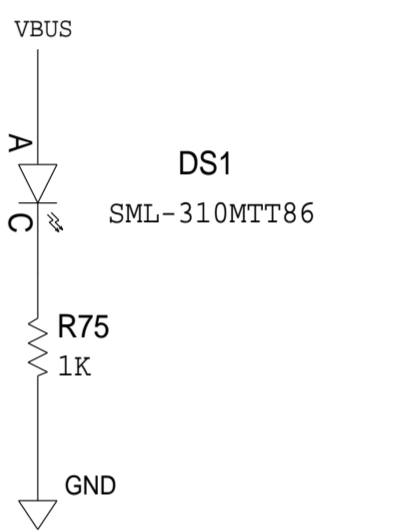
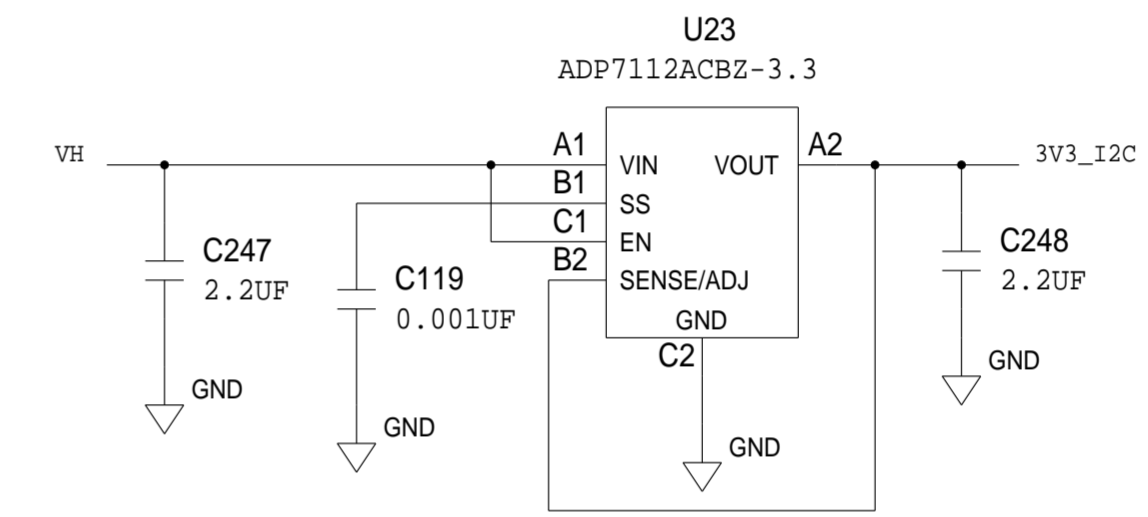
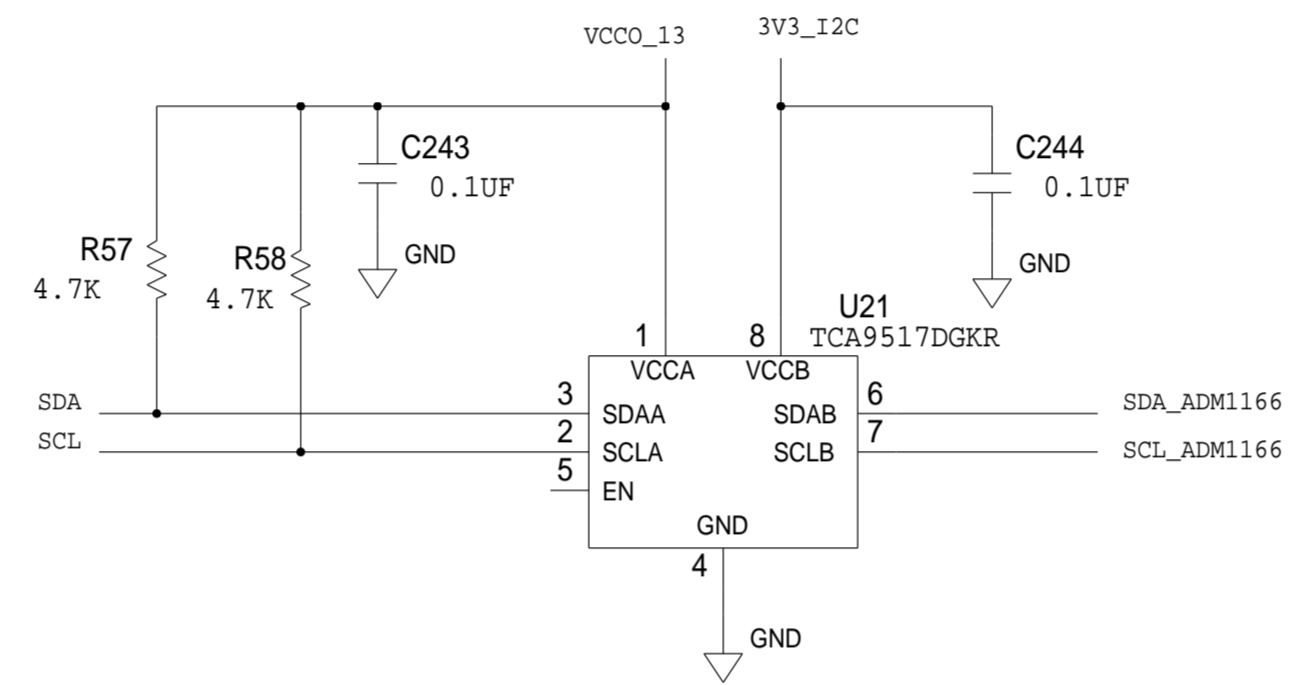
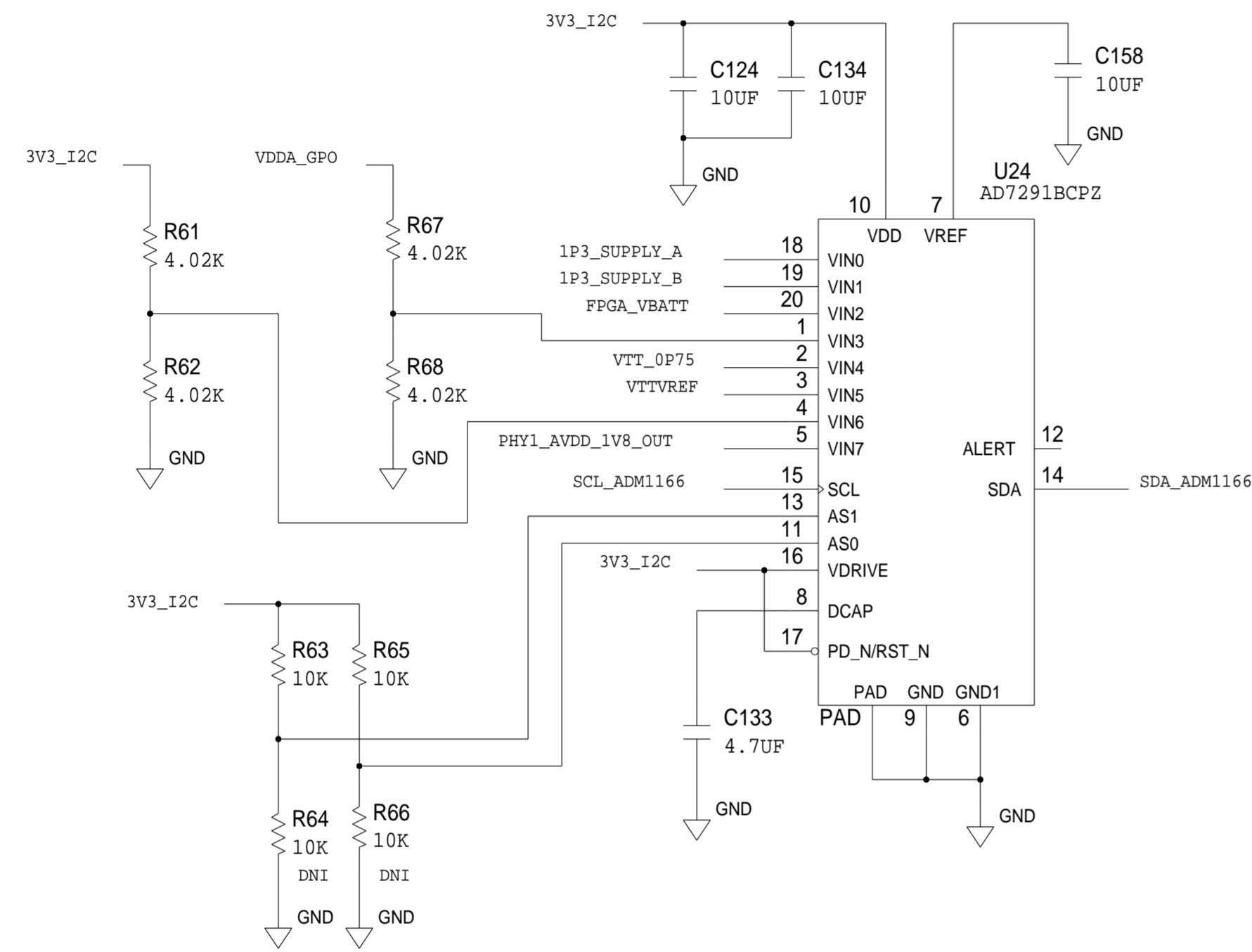
REVISIONS			
REV	DESCRIPTION	DATE	APPROVED



MODULE (DAUGHTER BD)

<p>THIS DRAWING IS THE PROPERTY OF ANALOG DEVICES INC. IT IS NOT TO BE REPRODUCED OR COPIED, IN WHOLE OR IN PART, OR USED IN ANY MANNER WITHOUT THE WRITTEN PERMISSION OF ANALOG DEVICES. THE EQUIPMENT SHOWN HEREIN MAY BE PROTECTED BY PATENTS OWNED OR CONTROLLED BY ANALOG DEVICES.</p>	<b>SCHEMATIC</b>		
	HW TYPE : MODULE Product(s): Zynq / AD9361 <PRODUCT_1>		
	DESIGN VIEW <DESIGN_VIEW>	DRAWING NO. 02_038702	REV B
	PTD ENGINEER <PTD_ENGINEER>	SIZE D	SCALE 1:1
		SHEET 9	OF 10

REVISIONS			
REV	DESCRIPTION	DATE	APPROVED



	<b>SCHEMATIC</b>		
	HW TYPE : MODULE Product(s): Zynq / AD9361 <PRODUCT_1>		
	DESIGN VIEW <DESIGN_VIEW>	DRAWING NO. 02_038702	REV B
	PTD ENGINEER <PTD_ENGINEER>	SIZE D	SCALE 1:1
		SHEET 10 OF 10	