



Avnet MicroZed 7020
Revision G Errata
V1.0
26 June 2018

© 2018 Avnet. All rights reserved. All trademarks and registered trademarks are the property of their respective owners. All specifications are subject to change without notice.

NOTICE OF DISCLAIMER: Avnet is providing this design, code, or information "as is." By providing the design, code, or information as one possible implementation of this feature, application, or standard, Avnet makes no representation that this implementation is free from any claims of infringement. You are responsible for obtaining any rights you may require for your implementation. Avnet expressly disclaims any warranty whatsoever with respect to the adequacy of the implementation, including but not limited to any warranties or representations that this implementation is free from claims of infringement and any implied warranties of merchantability or fitness for a particular purpose.

Table of Contents

1	Introduction	3
2	Identifying Affected Modules	3
3	Errata	4
3.1	PUDC_B Pull-up Populated with 0-ohm instead of 1K-ohm	4
3.1.1	Applications Affected	4
3.1.2	Description	4
3.1.3	Workaround	5
3.1.4	Identifying Repaired or New Boards	6
4	New Erratum	7
5	Additional Support	7
6	Revision History	7

1 Introduction

Thank you for your interest in the Avnet MicroZed System-On-Modules. Although Avnet has made every effort to ensure the highest possible quality, these kits and associated software are subject to the limitations described in this errata notification.

Be aware that any of the optional workarounds requiring physical modifications to the board are done at the User's own risk, and Avnet is not liable for poorly performed rework.

2 Identifying Affected Modules

The modules affected by these errata can be identified by the Revision of the MicroZed System-On-Module. The revision of the MicroZed System-On-Module can be found on the bottom side of the PCB board. The affected PCB boards are the MicroZed Revision G, identified as PCB assembly number "BD-Z7MB-Z7020-G REV-G" or "BD-Z7MB-Z7020I-G REV-G" with an embedded "PCB-G" also visible in the board etching.



Figure 1 – Identifying MicroZed 7020 for this Errata

3 Errata

3.1 PUDC_B Pull-up Populated with 0-ohm instead of 1K-ohm

3.1.1 Applications Affected

This issue will affect any MicroZed carrier board that makes use of signal JX1_LVDS_2_P, which is connected to JX1 Pin 17. This pin will have a short to VCCO_34 (JX1, Pins 78-80) once the MicroZed is plugged in.

Both the commercial and industrial temperature grade MicroZed 7020 Revision G models are affected by this issue. Note that this issue was corrected before any MicroZed 7010 Revision G models were built.

- AES-Z7MB-7Z020-SOM-G
- AES-Z7MB-7Z020-SOM-I-G

Since none of the Avnet MicroZed Carrier boards use this I/O for active functionality, those Carriers are not affected.

3.1.2 Description

PUDC_B is a signal on the Zynq-7000 device that stands for “Pull-Ups During Configuration,” and it is active low. Since pull-ups during configuration can adversely affect I/Os that are strapped low, Avnet typically disables PUDC by adding a pull-up to the PUDC_B signal.

On MicroZed, the PUDC_B signal is in Bank 34 of the Zynq-7000, Pin U13 on component U9C on Sheet 6 of the schematic document. This pin is tied to schematic signal JX1_LVDS_2_P, which is also tied to resistor jumper JT4 and MicroHeader JX1 Pin 17.

Resistor jumper JT4 is a 3-pad component that allows an 0402 resistor to be placed either in the 1-2 position or the 2-3 position. By default, this was supposed to be populated with a 1K-ohm resistor in the 1-2 position. Unfortunately this was mistakenly populated with a 0-ohm resistor, thus shorting JX1_LVDS_2_P to power supply VCCO_34. This effectively disables PUDC, but it also makes this I/O unusable.

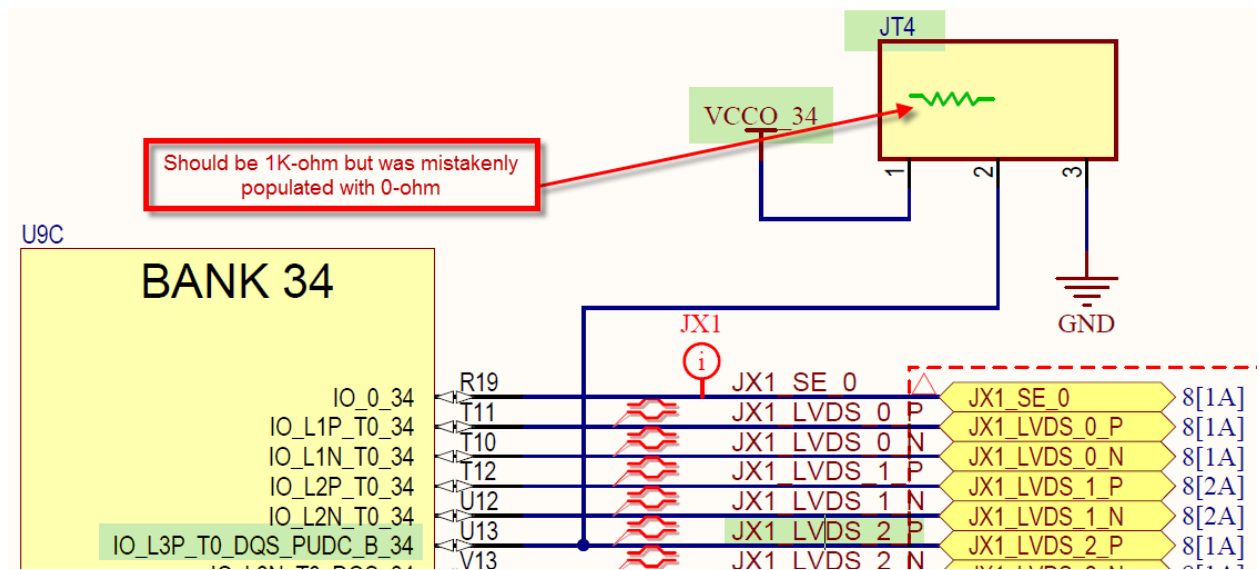


Figure 2 – JT4 Pull-up Connected to PUDC_B, JX1_LVDS_2_P, and JX1-Pin17

3.1.3 Workaround

If you are capable of completing the rework on your own, please contact customize@avnet.com to obtain a waiver before completing the work to avoid invalidating your warranty.

If you would like to return these boards to Avnet to complete this rework on affected boards that you already own, please contact us at customize@avnet.com.

If your application requires this specific IO for future MicroZed purchases, please contact customize@avnet.com to ensure any future product purchased will have the necessary changes.

To perform the rework yourself, perform the following steps:

1. Remove the resistor at position 1-2 of JT4.

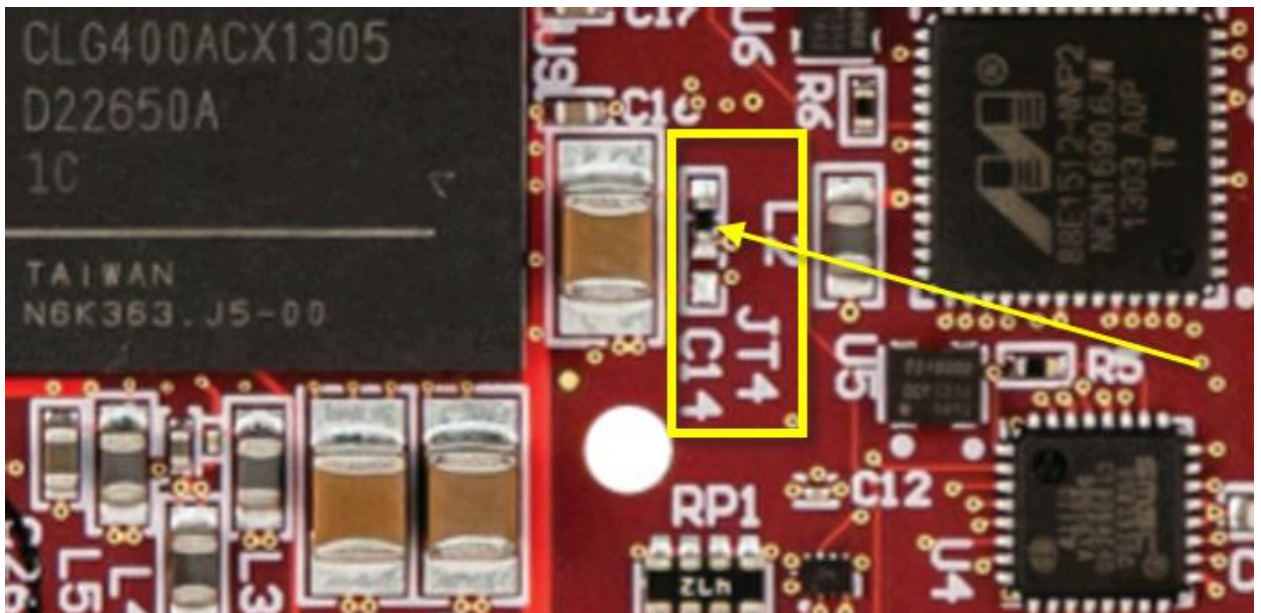


Figure 3 – JT4 on MicroZed

2. Solder a new, 0402 1K-ohm resistor to position 1-2 of JT4. A few suggestions are listed below.
 - a. Panasonic Electronic Components ERJ-2RKF1001X
 - b. Yageo AC0402FR-071KL
 - c. Yageo RC0402FR-071KL

3.1.4 Identifying Repaired or New Boards

A repaired Revision G board that has this workaround in place will be identified with a blue mark on the bar code label as shown below:

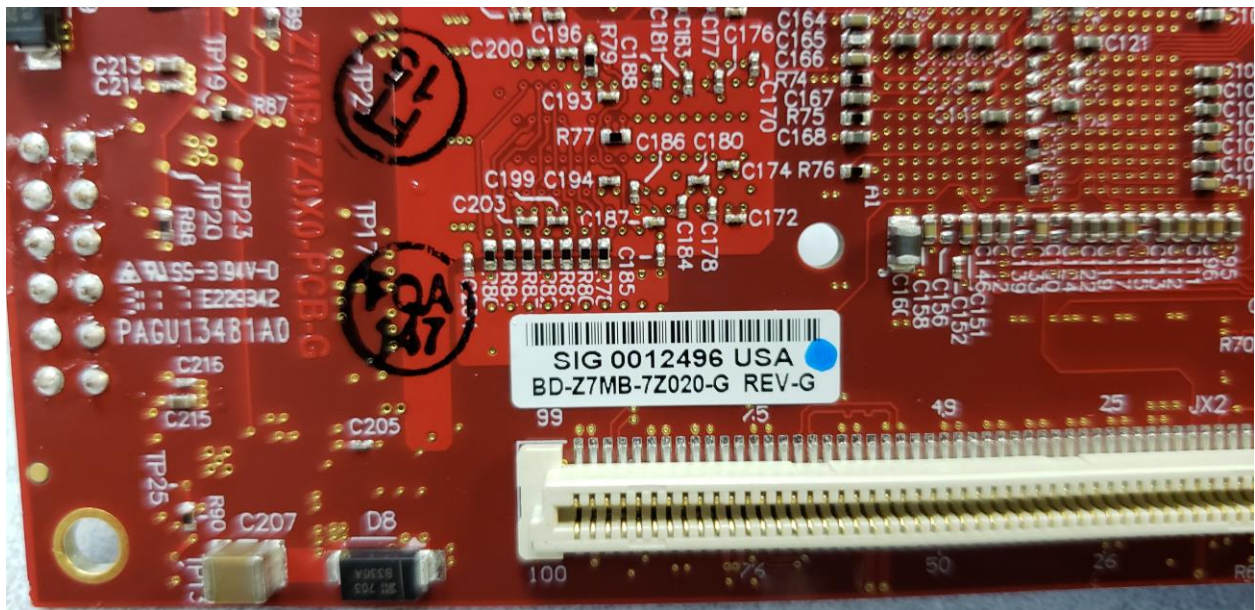


Figure 4 – Repaired MicroZed Rev G Board

New Revision G boards with Revision Code G-03-03 or later will have a 2D bar code label similar to the one shown below. These boards do not have the issue.

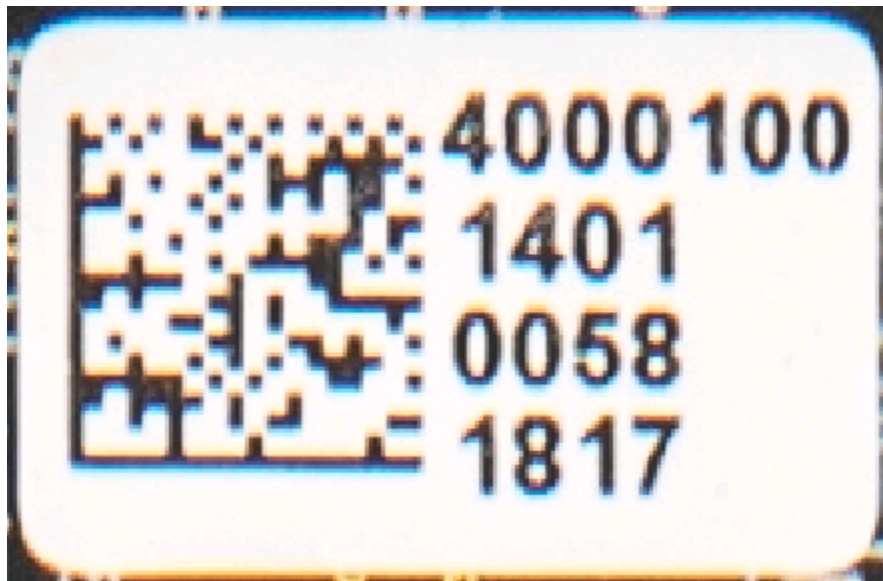


Figure 5 – Example 2D Bar Code for Future Rev G MicroZed Boards
(Note: this is only an example bar code, not from MicroZed)

4 New Erratum

Any new erratum found will be posted to the MicroZed website forum:

<http://microzed.org/forums/MicroZed-hardware-design>

5 Additional Support

For additional support, please review the discussions and post your questions to the MicroZed Forums at:

<http://MicroZed.org/forums/MicroZed-hardware-design>

You can also contact your local Avnet FAE.

6 Revision History

Date	Version	Revision
26 Jun 2018	1.0	Added Item 3.1 PUDC_B Pull-up Populated with 0-ohm instead of 1K-ohm